



INSTALLATION INSTRUCTIONS
POLARIS RANGER CREW FULL-SIZE 2013
ABS (UV Resistant) ROOF
PART # 88-9520BBS

IMPORTANT NOTICES

READ AND UNDERSTAND THESE INSTRUCTIONS COMPLETELY BEFORE INSTALLATION TO AVOID INJURY TO YOURSELF, DAMAGE TO THE VEHICLE OR ACCESSORY.

- For proper installation, TWO people are required.
- Torque specifications must be followed when tightening bolts. Over-tightening any and/or all screws will cause cracks around mounting holes which is not covered by any warranty.
- As specified on carton label, damage caused by packaging staples is not covered by warranty. All staples must be removed prior to removing product from carton.
- Failure to follow these installation instructions completely may void any warrantable components and result in product damage or personal injury.
- Do not use Loctite or any other similar fastener adhesive. These types of products react to plastics and cause cracking. Not covered by any warranty.

DEALER

These instructions contain important information for future reference and must be given to the customer at time of purchase or upon completion of installation.

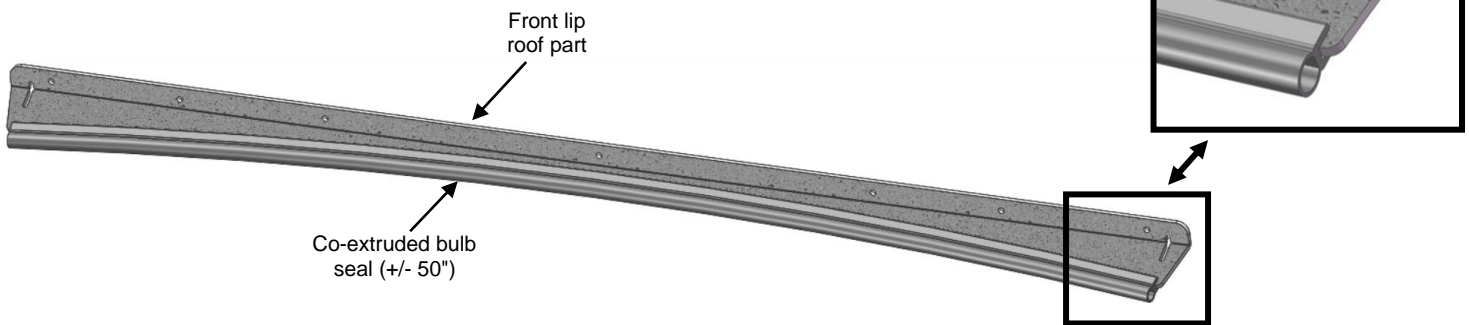
Parts List (parts available with kit only and not available separately)

ITEM	PART NAME	DESCRIPTION	QTY	
A	Front roof part	Front roof part made of $\frac{3}{16}$ " thick ABS (UV resistant)	1	
B	Rear roof part	Rear roof part made of $\frac{3}{16}$ " thick ABS (UV resistant)	1	
C	Front lip	Front lip made of $\frac{3}{16}$ " thick ABS (UV resistant)	1	
D	Co-extruded bulb seal (1/4")	Includes: 222" Co-extruded bulb seal (1/4") / #77-95BS [end user to cut to exact length]	1	
INSTRUCTION BAG	E	Left side cap	Left side cap made of $\frac{3}{16}$ " thick ABS (UV resistant)	1
	F	Right side cap	Right side cap made of $\frac{3}{16}$ " thick ABS (UV resistant)	1
	G	Foam cushion	Included: 96" of 1" x $\frac{1}{8}$ " self-adhesive foam cushion [end user to cut to exact length]	1
	H	Foam cushion	Included: 54" of 1" x $\frac{1}{16}$ " self-adhesive foam cushion [end user to cut to exact length]	1
	I	Flop clamp set	Includes: 4 flop clamps and 8 injected rubber pad spacers (1 $\frac{3}{4}$ ")	1
	J	Nuts & bolts	Includes: 8 metal plate hooks, 18 phillips truss head screws M6 x 20, 3 phillips truss head screws M6 x 24, 4 phillips truss head screws M6 x 30, 38 plastic washers M6, 3 rubber washers M6, 13 locknuts M6 and 4 nylon round spacers $\frac{1}{2}$ "	1
	K	Front bracket hardware	Includes: 1 x left support bracket, 1 x right support bracket, 4 Philips truss head screws M6 x 20, 2 Philips truss head screws M6 x 24, 12 plastic washers M6 and 6 locknuts M6	1

1. Installation

- a) Apply the co-extruded bulb seal (Item D) to the curved edge of the front lip (Item C) using manual pressure to ensure good adhesion and cut any excess.

IMPORTANT! The co-extruded bulb seal **MUST** be fully pressed on to the roof edge or the roof will not fit properly in the roll bar channel.

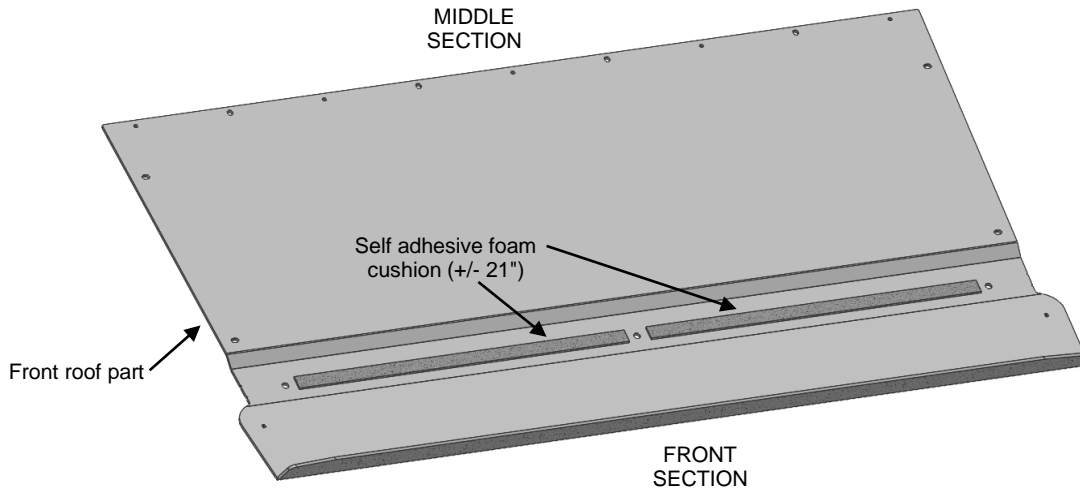


IMPORTANT NOTICES

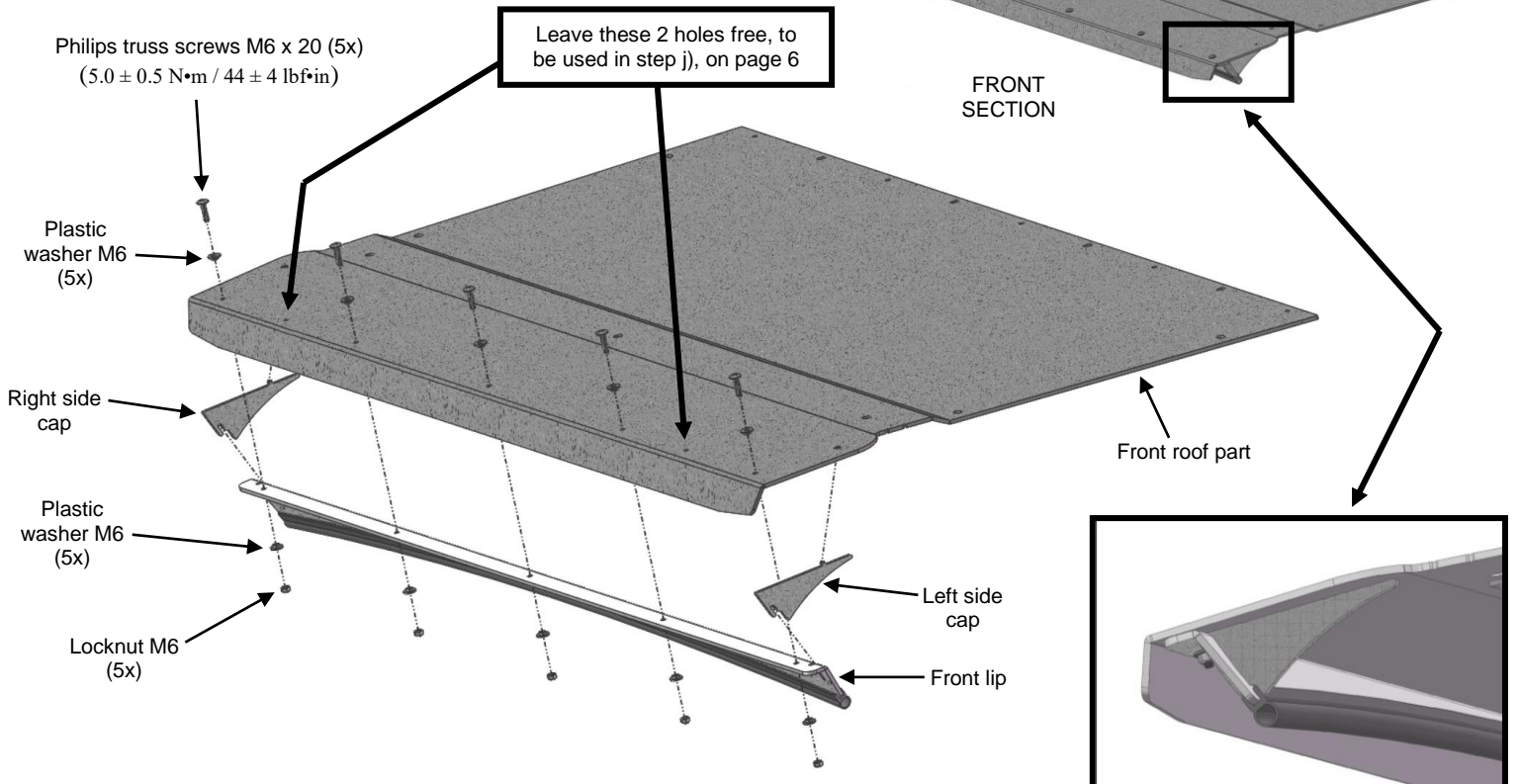
Torque specifications must be followed when tightening bolts.

Over-tightening any and/or all screws will cause cracks around mounting holes which is not covered by any warranty.

- b) Apply the self-adhesive foam cushion (Item G) to the front roof part (Item A) as shown. For proper installation, the roof must be free of any dust or any other contamination. Precut 2 strips (2 x 21") of self-adhesive foam cushion (Item G) and apply them to the roof as shown below using manual pressure to ensure good adhesion.



- c) Assemble the roof front part (Item A), the front lip (Item C) and the side caps (Item E & F) together using supplied hardware (Item J) as shown below.

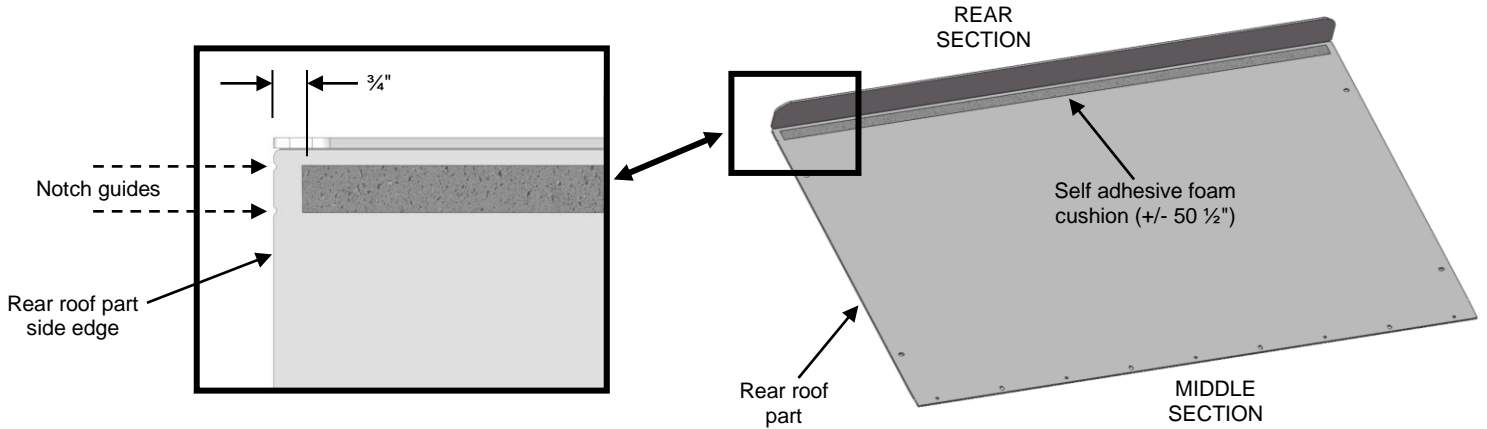


IMPORTANT NOTICES

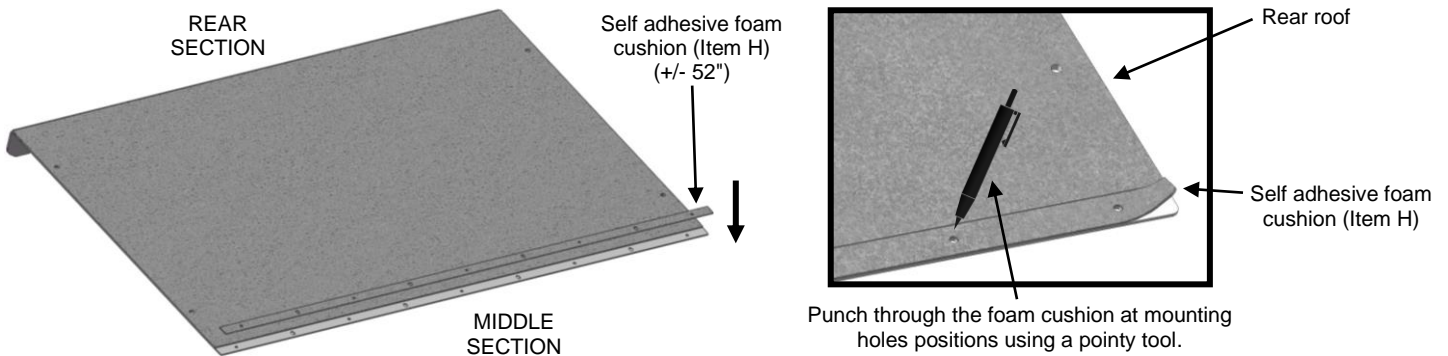
Torque specifications must be followed when tightening bolts.

Over-tightening any and/or all screws will cause cracks around mounting holes which is not covered by any warranty.

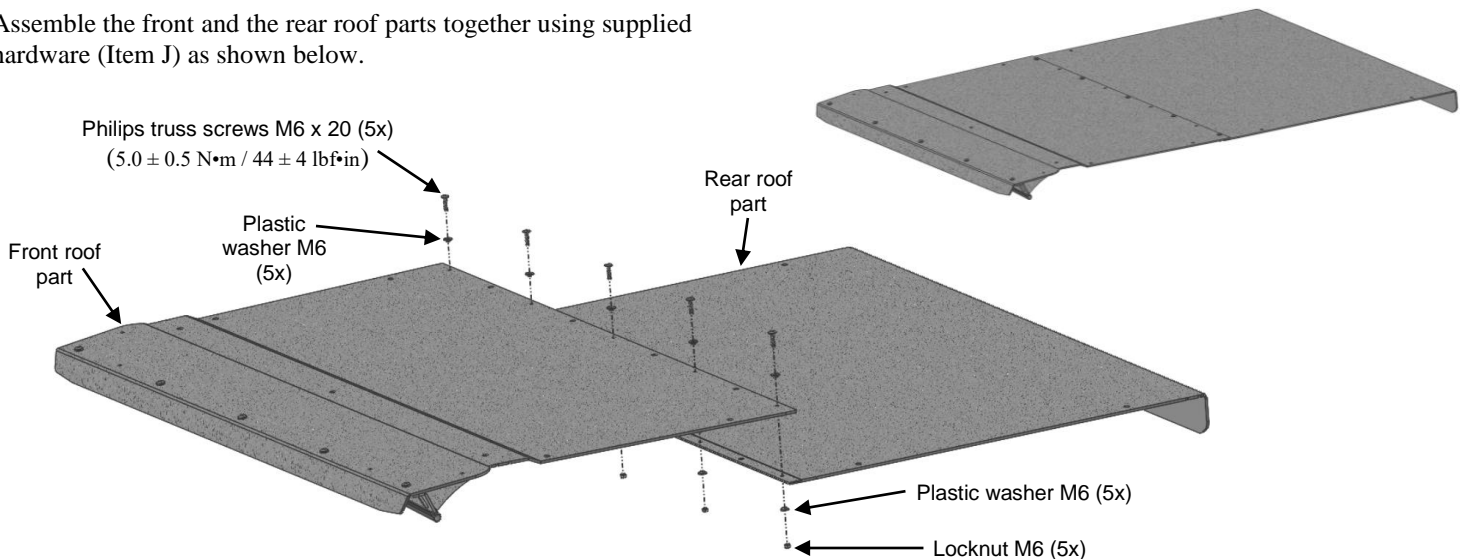
- d) Apply the self-adhesive foam cushion (Item G) to the rear roof (Item B) part as shown below using manual pressure to ensure good adhesion. For proper installation, the roof must be free of any dust or any other contamination. Use the roof's side edge notches as guides to position and align the foam cushion as shown below. You must leave a free gap of $\frac{3}{4}$ " from side edges.



- e) Apply the self-adhesive foam cushion (Item H) to the front side of the rear roof (Item B) as shown. For proper installation, the roof must be free of any dust or any other contamination. Using a pen, screwdriver or any other similar pointy tool, pierce through the foam cushion using the rear roof mounting holes as guides (9 locations).



- f) Assemble the front and the rear roof parts together using supplied hardware (Item J) as shown below.

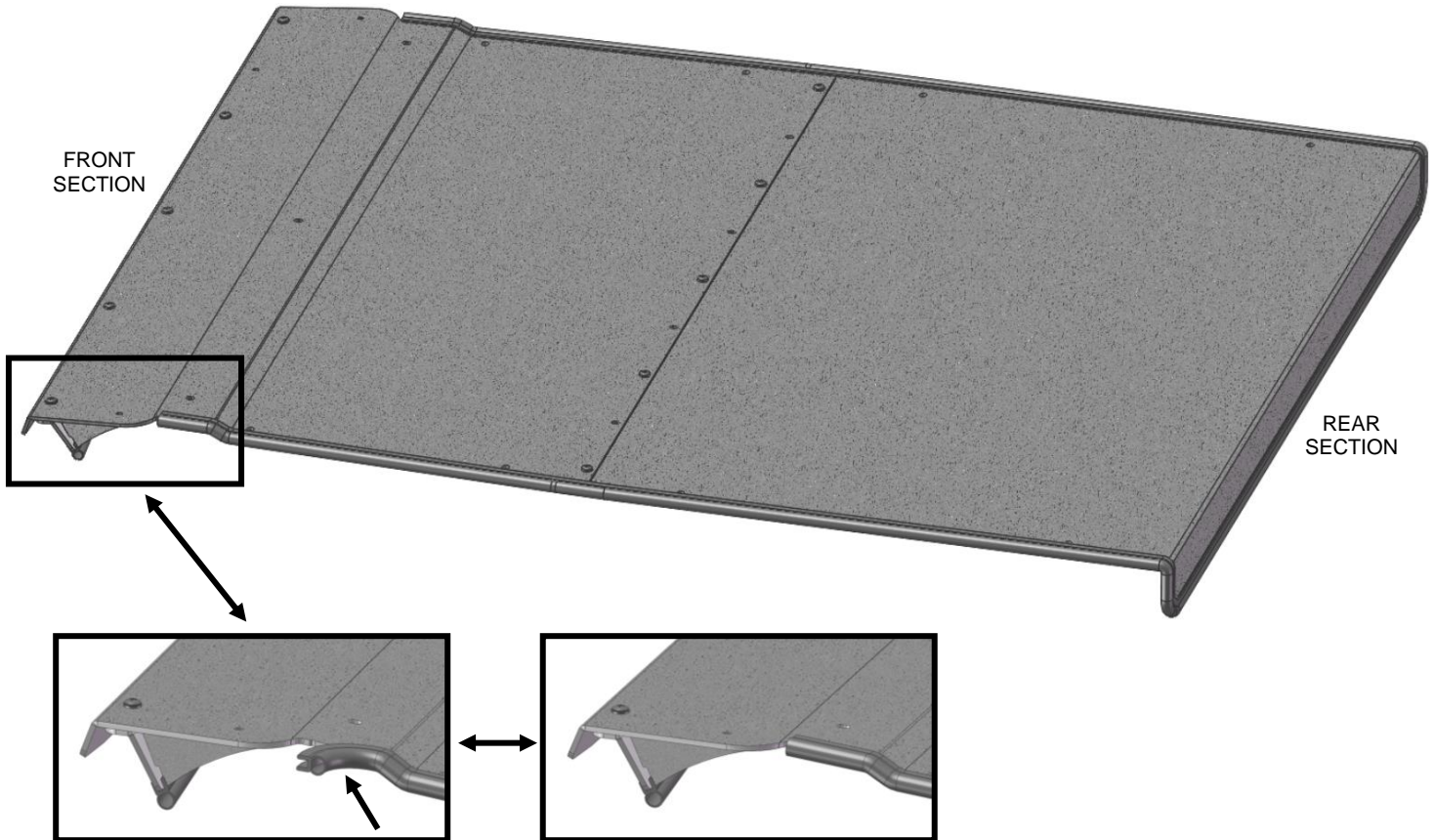


IMPORTANT NOTICES

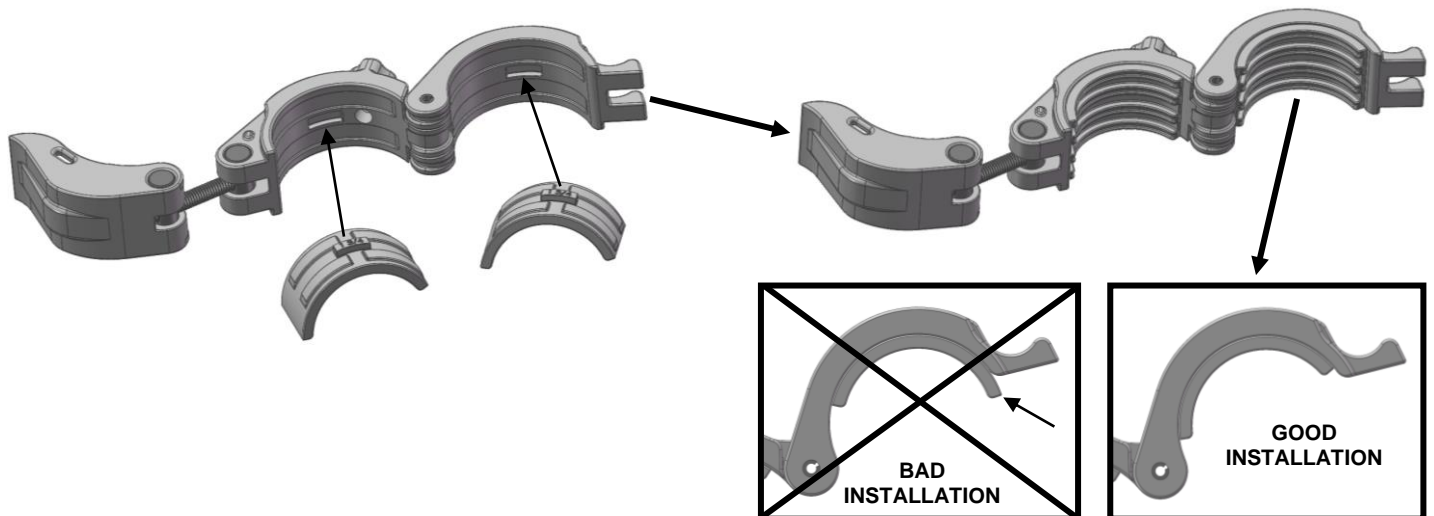
Over-tightening any and/or all screws will cause cracks around mounting holes which is not covered by any warranty.

g) Apply the co-extruded bulb seal (Item D) on the roof edges using manual pressure to ensure good adhesion.

IMPORTANT! The co-extruded bulb seal **MUST** be fully pressed on to the roof edge or the roof will not fit properly in the roll bar channel.



h) Insert the injected rubber pad spacers (Item I) to all clamps as shown below.

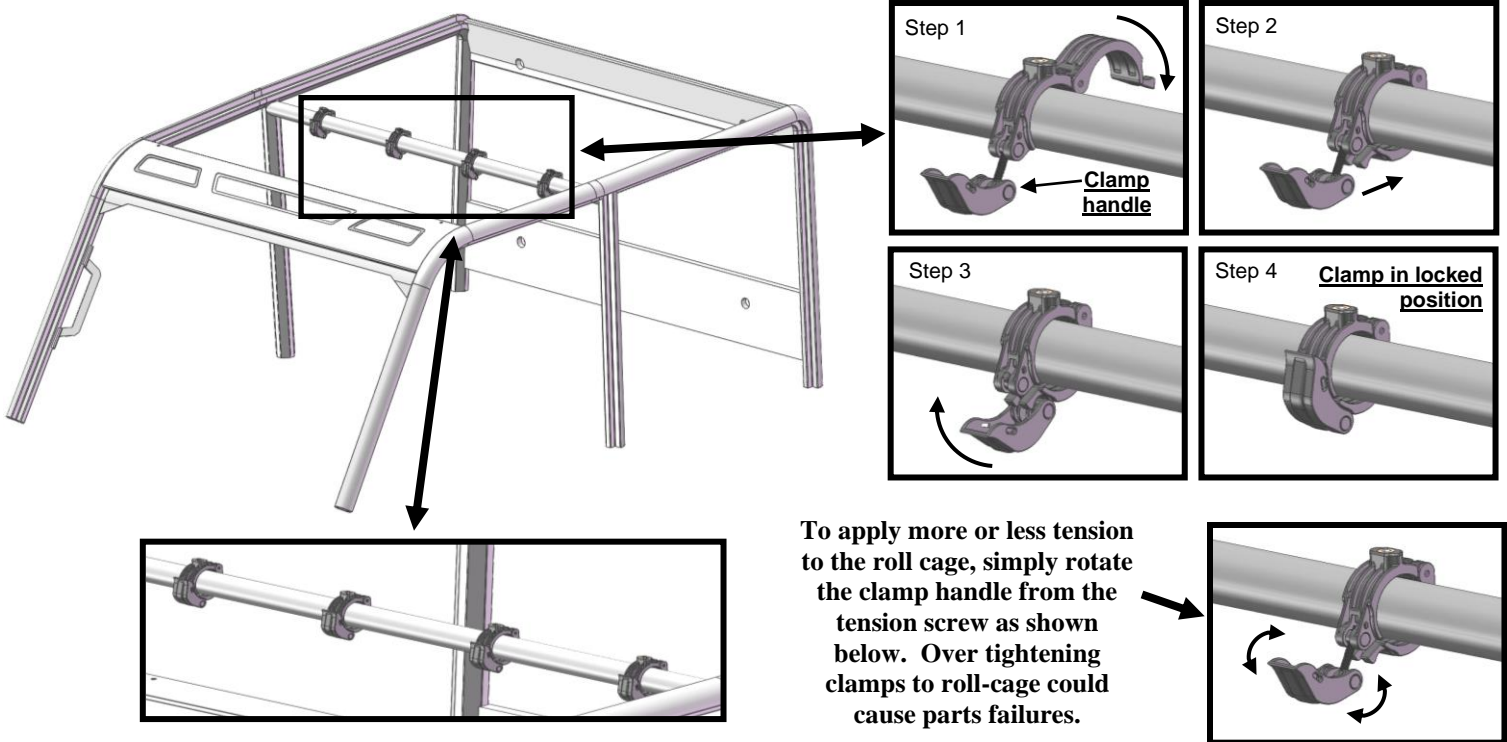


IMPORTANT NOTICES

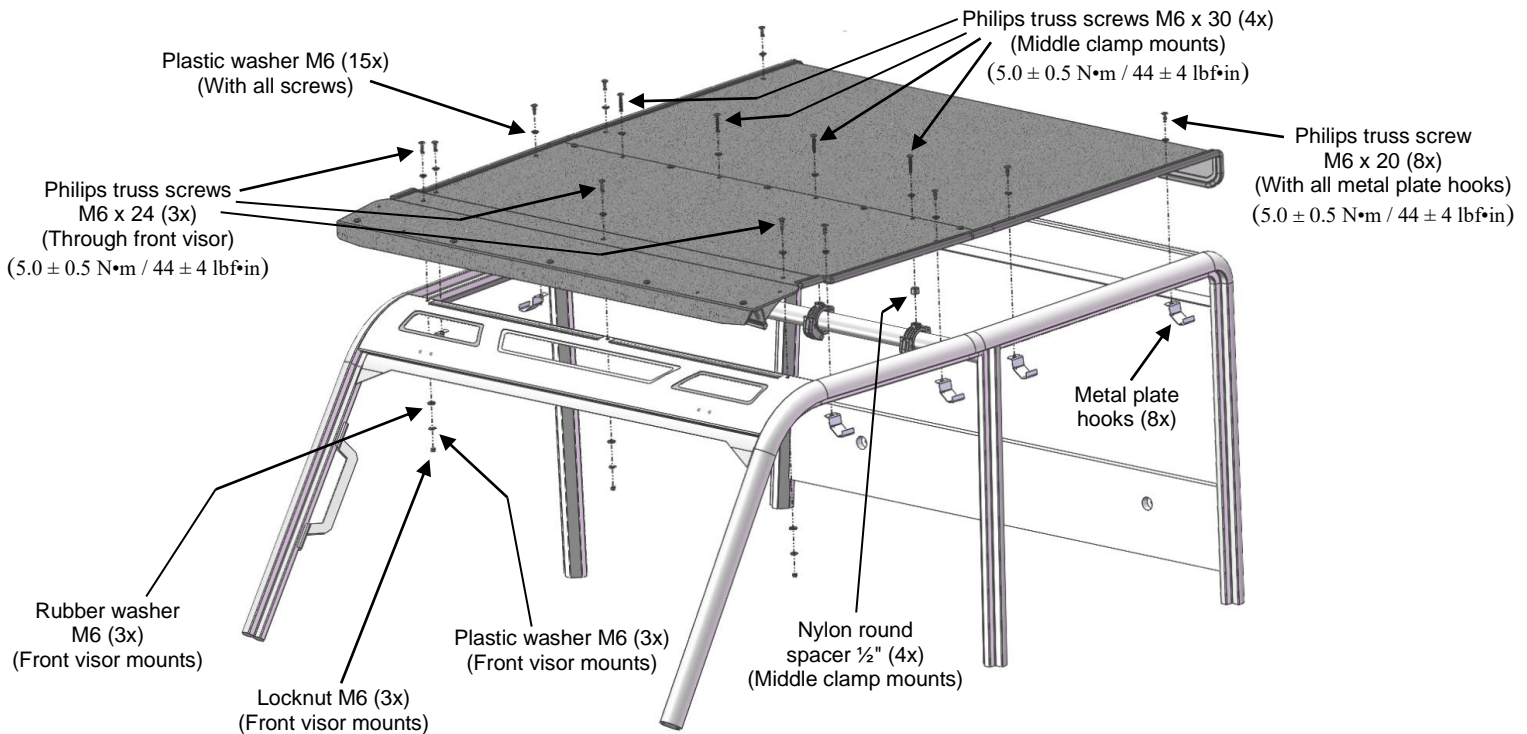
Torque specifications must be followed when tightening bolts.

Over-tightening any and/or all screws will cause cracks around mounting holes which is not covered by any warranty.

- i) Attach the clamps to the roll-cage as shown below and pre-adjust tightening tension of all clamps. **NOTE: Keep all clamp handles open as shown in step 3 below; this will allow you to move the clamps left or right when installing the roof for the first time.**



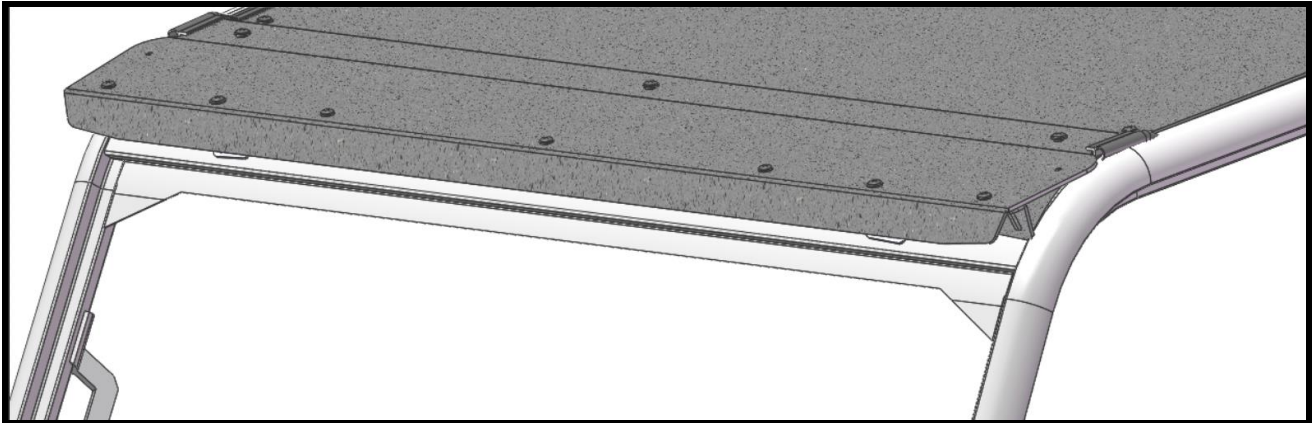
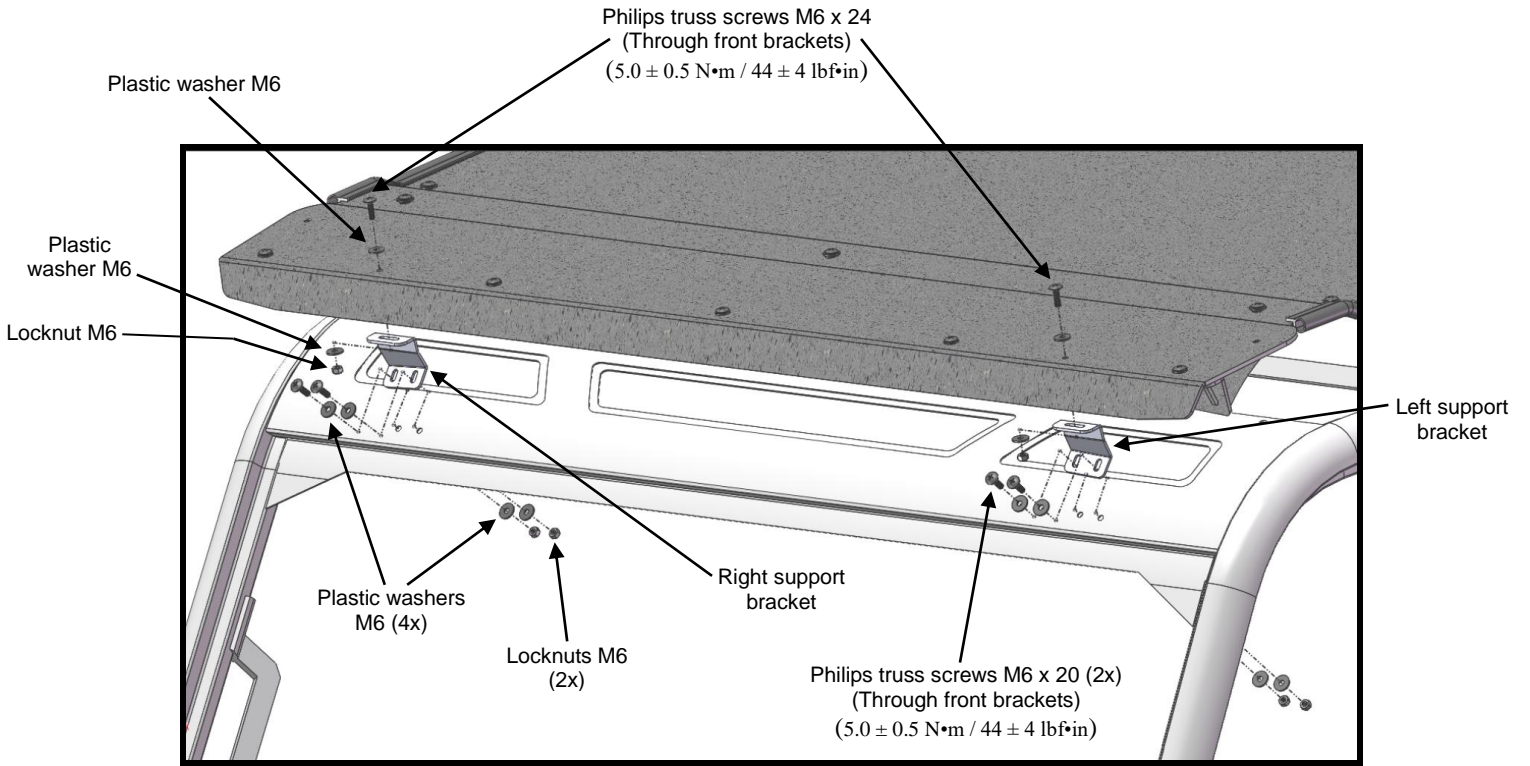
- j) Install the roof to the vehicle using supplied hardware (Item J) without applying final torque. Ensure that the roof and all clamps are properly positioned. Secure all clamps in locking position [Ref: Step 4 - section d] and tighten all hardware as shown below. **IMPORTANT! Some extra details on support brackets (Item H) installation are shown on next page.**



IMPORTANT NOTICES

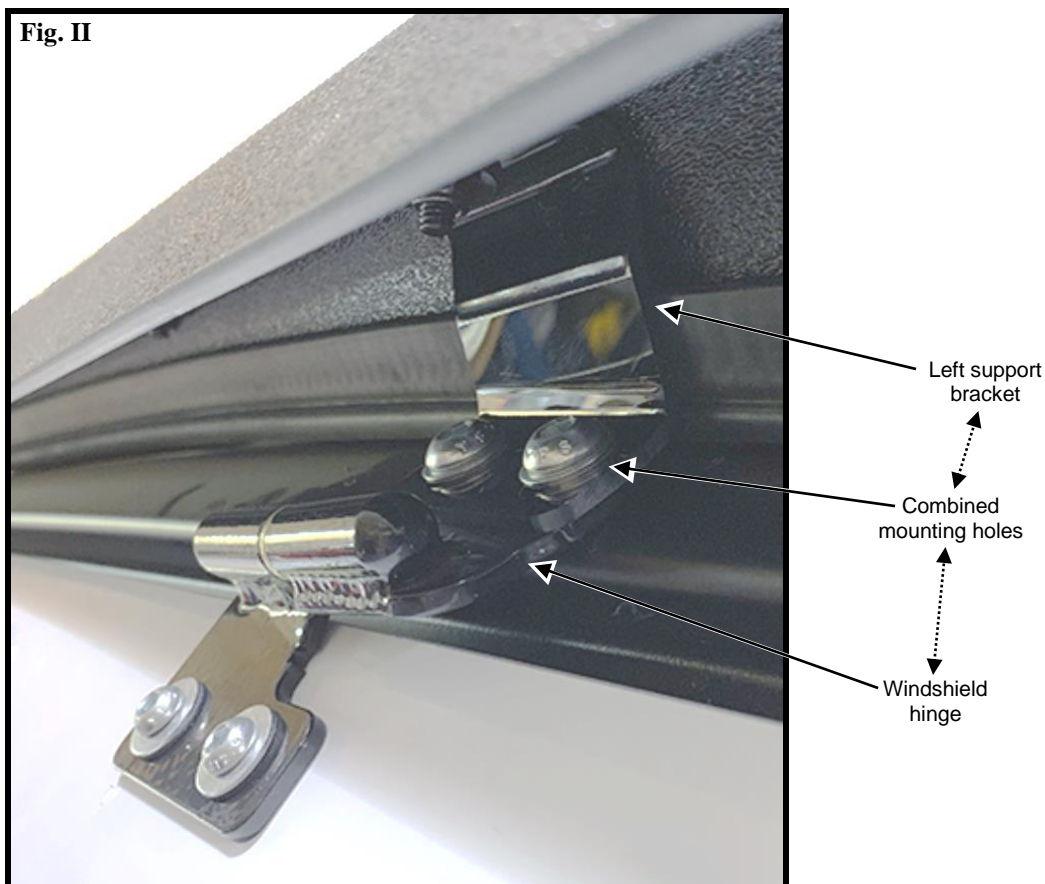
Torque specifications must be followed when tightening bolts.

Over-tightening any and/or all screws will cause cracks around mounting holes which is not covered by any warranty.



SPECIAL NOTE

If your vehicle is already equipped with a hinged windshield that is using the same mounting holes as the roof support brackets, they can be installed together using roof or windshield hardware as shown in figure II.



CAUTION

Please understand that open trailer towing can result in windshield/roof damage due to high wind pressure and road debris. Towing at Highway Speeds (75+ mph) for EXTENDED periods (over 100 miles) causes constant and extreme pressure at the mount areas, and is not recommended. Spike suggests removal of roofs/windshields if towed in these conditions-removal will also create less drag on the tow vehicle. Lower speeds (60 mph) or two-lane roads are no problem.

2. Maintenance and Care

Tighten all hardware after first use and periodically thereafter.